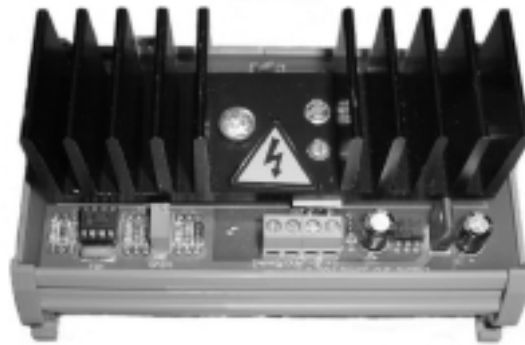


Product Code: AX-PCM1-120
**120VA Phase-Cut Output
Module**

AXIO



FEATURES

- **120VA, 20V Phase-cut Output**
- **Opto-Isolated**
- **DIN Rail Mounting**
- **Integral Heatsink**

The AX-PCM1-120 is designed to convert a single 0-10Vdc Input Signal to drive a 0-20V 50Hz phase-cut output, at 120VA, to drive larger valve and damper actuators. The AX-PCM1-120 features opto-isolation, is powered from 24Vac (with common earth to input signal) and has high quality rising clamp screw terminals.

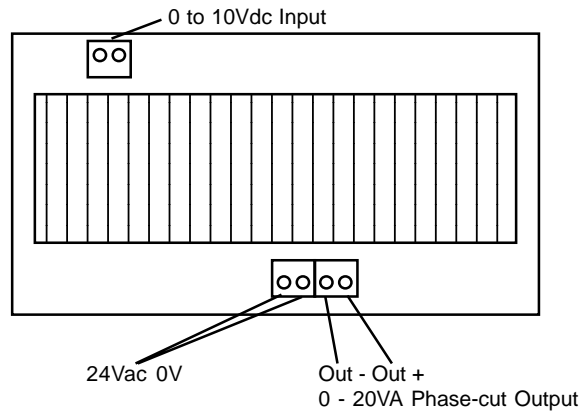
Specification

Input: 0-10Vdc, (2mA)
Output: 0-20V full wave rectified 50Hz phase-cut, 120VA
Power Supply: 24Vac (earth common to 0-10Vdc input)
Terminals: Rising Clamp for 0.5 - 2.5mm² cable.
Operating Temperature Range : 0 to 50°C
Dimensions (approx): 139mm (l) x 92.5mm (w) x 78mm (h)
Country of Origin: United Kingdom

Designed to meet the requirements of CE

There is a heatsink fitted on this pcb, other components may also get warm; for this reason the AX-PCM1-120 must be mounted in such a manner as to ensure free air circulation to provide adequate cooling.

The AX-PCM1-120 is NOT protected against short circuits - care must be taken during wiring, and suitable external fusing should be fitted. All connections should be made with the power disconnected. Connections are clearly marked on the pcb.



Every effort has been taken in the production of this data sheet to ensure it's accuracy. Axio can not, however, accept responsibility for any damage, expense, injury, loss or consequential loss resulting from any errors or omissions. Axio has a policy of continuous improvement and reserves the right to change this specification without notice.

Data Sheet Ref: 619801 27/11/00 ©Axio 2000

7, Mount Mews
Hampton
Middlesex
TW12 2SH
Email:sales@axio.co.uk
Tel: 0870 2417430
Fax: 0208 3950742

AXIO